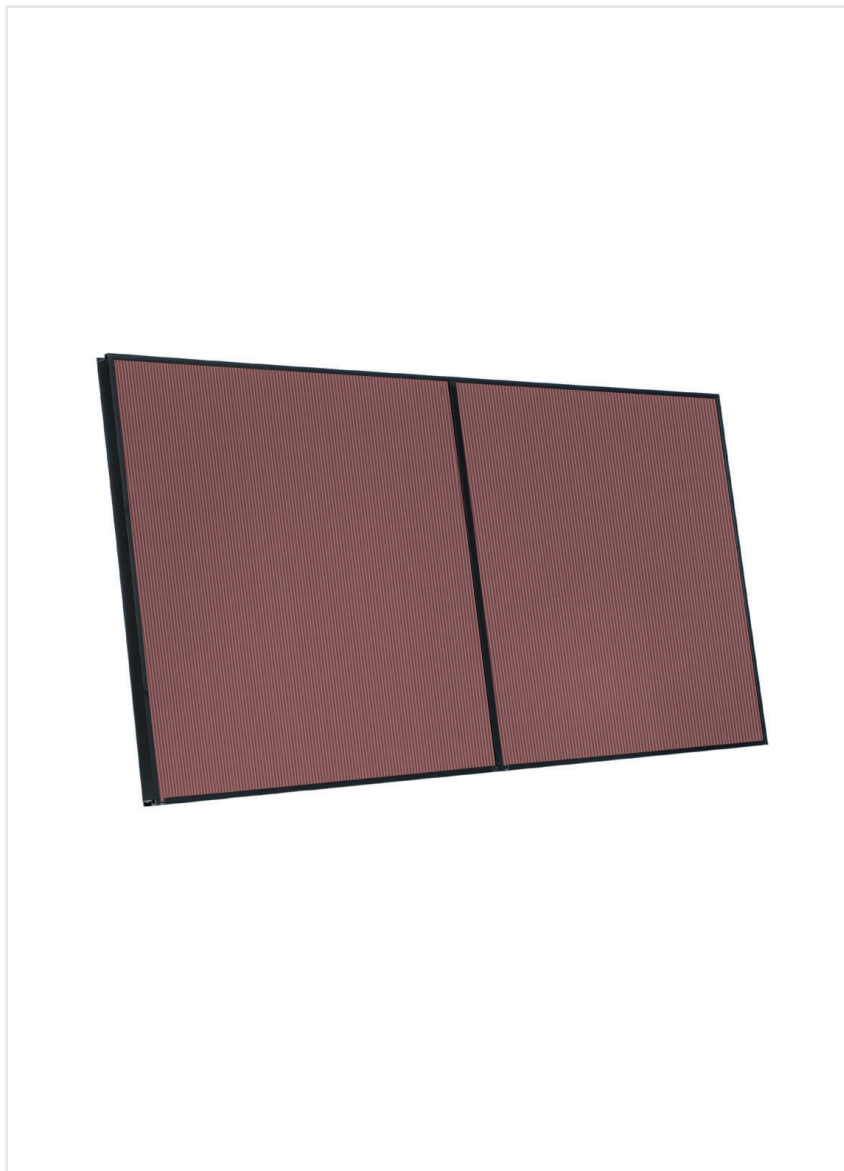


# SOLARMODULE

## Silicon Thin-film

### Kaneka K120-H



■  
■  
■  
■  
■  
■

applicable for grid connection and  
48 V stand-alone system

power warranties\*  
25 years (80%)  
12 years (90%)

5 years product guarantee\*

IEC 61646 tested and certified

safety class II for 530 V system voltage

Produced in ISO 9001 certified plants

power tolerance +10%... -5%

higher yield on plant thanks to  
higher initial power

high yield even at high module  
temperatures

delivered ready for connection with  
cables and Multi-Contact plug-in  
connectors

integrated bypass diodes

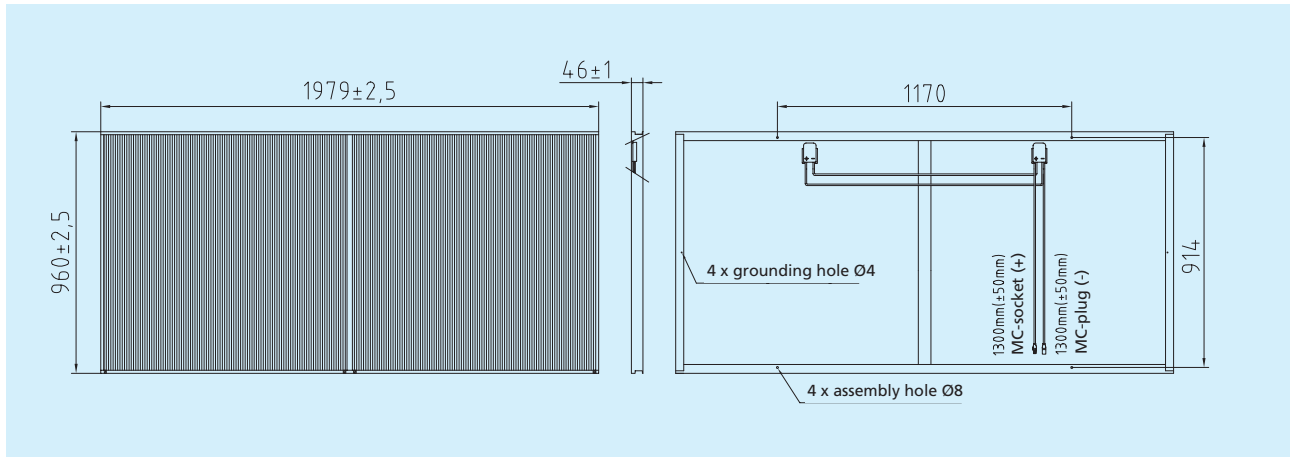
extremely low consumption on  
material

energy payback time less  
than 2 years

homogeneous colouring of frame and  
module surface ⇒ high-class,  
harmonic appearance

fast and inexpensive mounting  
⇒ delivered ready for connection  
⇒ pre-confectioned cables  
⇒ Multi-Contact plug-in connectors  
⇒ integrated bypass diodes

100% end control with individual  
registration of the electrical  
characteristics



dimensioned drawing Kaneka K120 H

## Technical data

		Stabilised values	Initial values
nominal peak power	Wp	120	158
guaranteed minimum power	Wp	114	150,1
nominal voltage	V	67	74
nominal current	A	1,80	2,12
open-circuit voltage	V	92	96
short-circuit current	A	2,38	2,44
temperature coefficient of $I_{SC}$	%/K	0,075	0,075
temperature coefficient of $U_{OC}$	mV/K	-280	-280
temperature coefficient of $P_{max}$	%/K	-0,23	-0,23
maximum system voltage	V	530	530
length	mm	960	960
width	mm	1979	1979
height	mm	46	46
weight	kg	27	27
assembly holes $\varnothing$ 8 mm	pieces	4	4

article numbers

240040120H

### Attention:

The laser lines must run vertically and the module has to be installed with at least 5° inclination. Please observe the installation instructions.

Electrical values under standard test conditions: 1000 W/m<sup>2</sup>; 25°C; AM1,5.

Electrical power values +10% ... -5%.  
Other electrical values  $\pm$ 10%.

Subject to modifications that represent progress.

\* The complete and individual valid guarantee conditions are relevant, which will be handed out by our IBC-representative on request.